



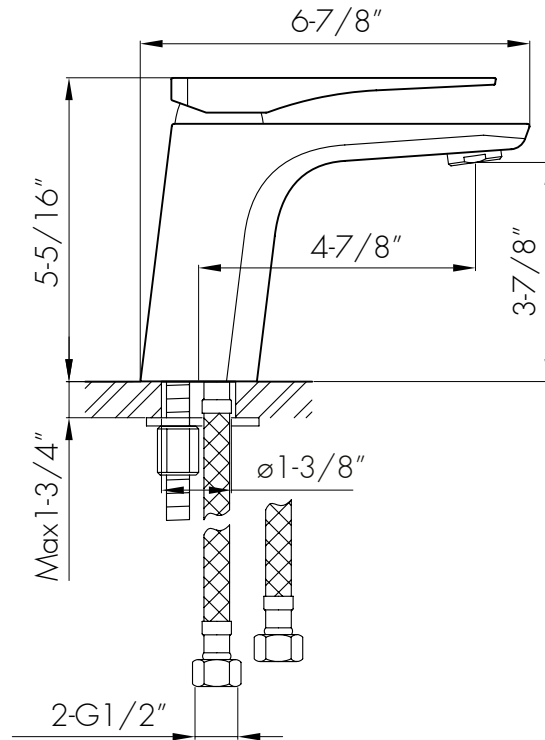
DAX-805A-BN



BATHROOM FAUCETS SERIES



[www.daxib.com](http://www.daxib.com)



## FEATURES

- Single lever
- Ceramic cartridge
- Brass body
- Flow rate 1.16 GPM
- Installation hole 1-3/8"
- Hoses and mounting parts included
- Pop up drain not included (available)
- Brushed nickel finish





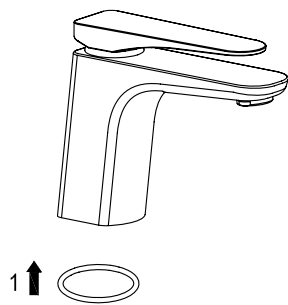
BATHROOM FAUCET **DAX-805A-BN**

|                      |                |
|----------------------|----------------|
| MODEL                | DAX-805A-BN    |
| UPC APPROVED         | YES            |
| WATERSENSE CERTIFIED | NO             |
| NSF APPROVED         | YES            |
| CONNECTION SIZE      | Ø1-3/8"        |
| FAUCET HOLE SIZE     | G1/2"          |
| FAUCETS HOLE         | Single hole    |
| FAUCET TYPE          | Basin Faucet   |
| FLOW RATE (GPM)      | 1.16 GPM       |
| HANDLE STYLE         | Contemporary   |
| NUMBER OF HANDLES    | Single handle  |
| HEIGHT               | 5-5/16"        |
| HOSE LENGTH          | 15-3/4"        |
| INSTALLATION TYPE    | Deck-mounted   |
| MATERIAL             | Brass          |
| FINISH               | Brushed nickel |
| SIDESPRAW            | NO             |
| SPOUT HEIGHT         | 3-7/8"         |
| SPOUT SWIVEL         | NO             |
| SPOUT TYPE           | M24*1          |
| POP-IP INCLUDED      | YES            |
| MAX DECK THICKNESS   | 1-3/4"         |

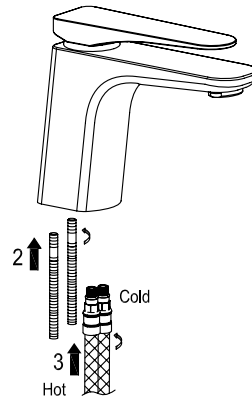




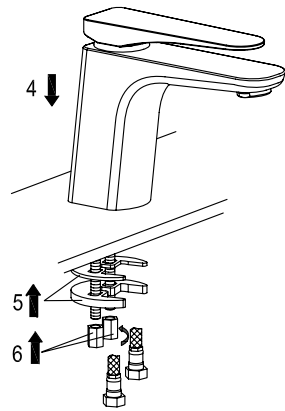
01



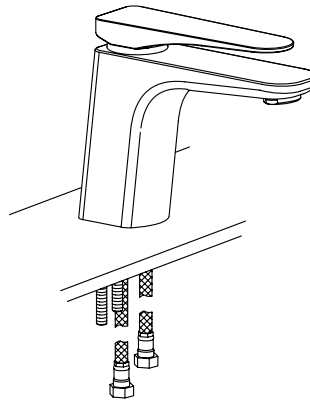
02



03

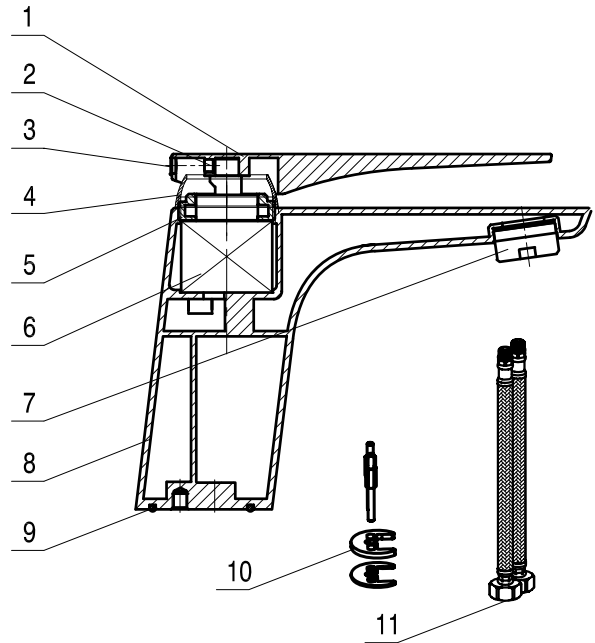


04





| DIAGRAM NUMBER | DAX SKU      | TITLE DESCRIPTION |
|----------------|--------------|-------------------|
| 1              | Z06120301057 |                   |
| 2              | T99600521017 |                   |
| 3              | T53300543017 |                   |
| 4              | T00101801017 |                   |
| 5              | T00000301027 |                   |
| 6              | Z61010100007 |                   |
| 7              | T53703343007 |                   |
| 8              | J00151901057 |                   |
| 9              | T50012161007 |                   |
| 10             | Z40100000007 |                   |
| 11             | Z30630000007 |                   |



For parts or sale requirements please contact our customer service department:



CS@daxib.com



1 888 685 8236

